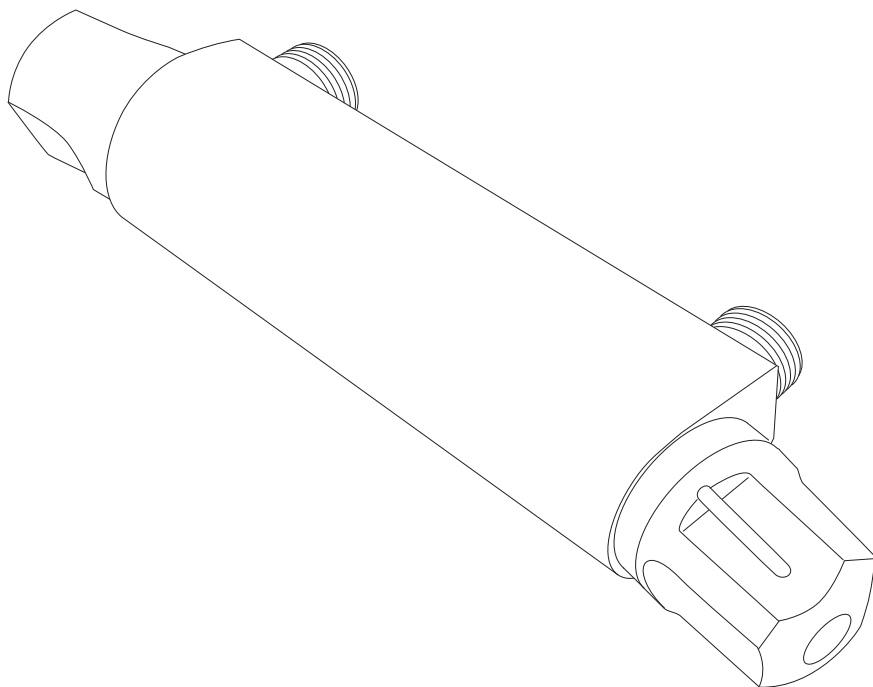




# Thermomixers

---

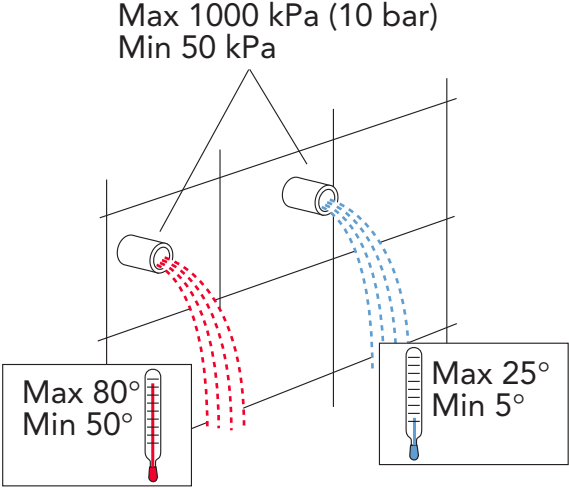
Installation	Page 2-5
Service	Page 4-11
Maintenance	Page 12
Spare parts	Page 13-15



Vi rekommenderar att installationen göres enligt branschreglerna "Säker Vatteninstallation"  
We recommend to install according to trade regulation "Säker Vatteninstallation" ( Safe waterinstallation)

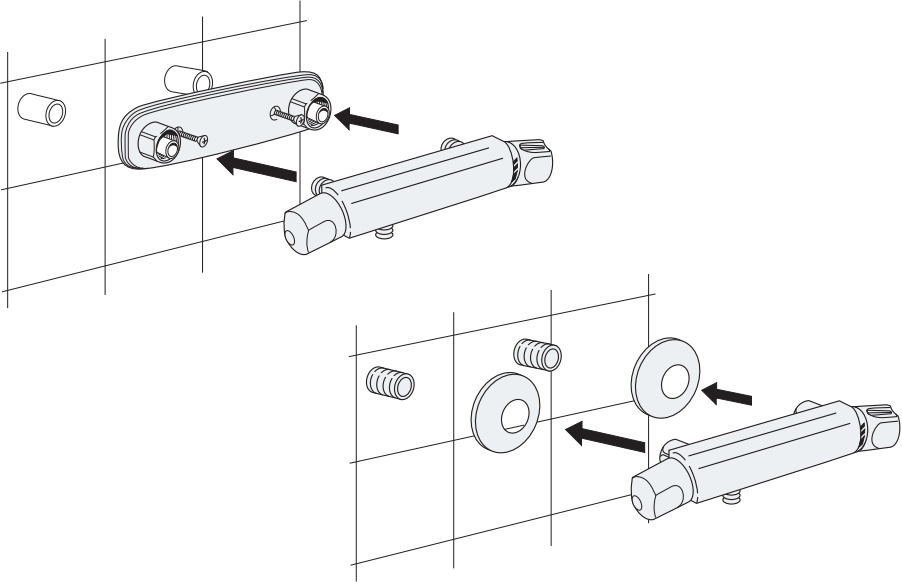
# Installation

## Clean the pipes



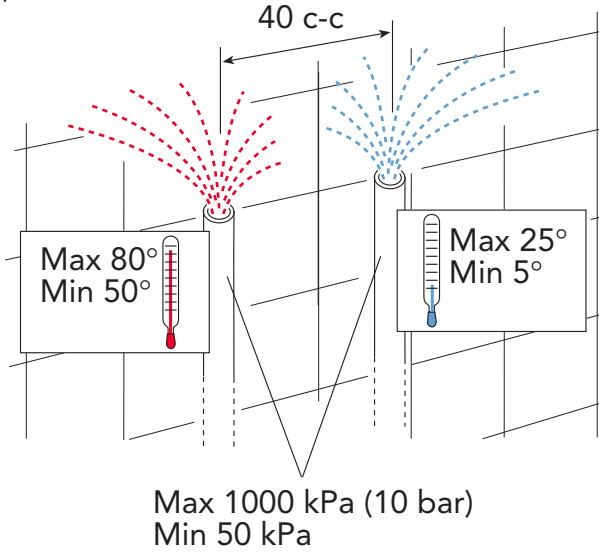
# Installation

## Mounting



# Installation

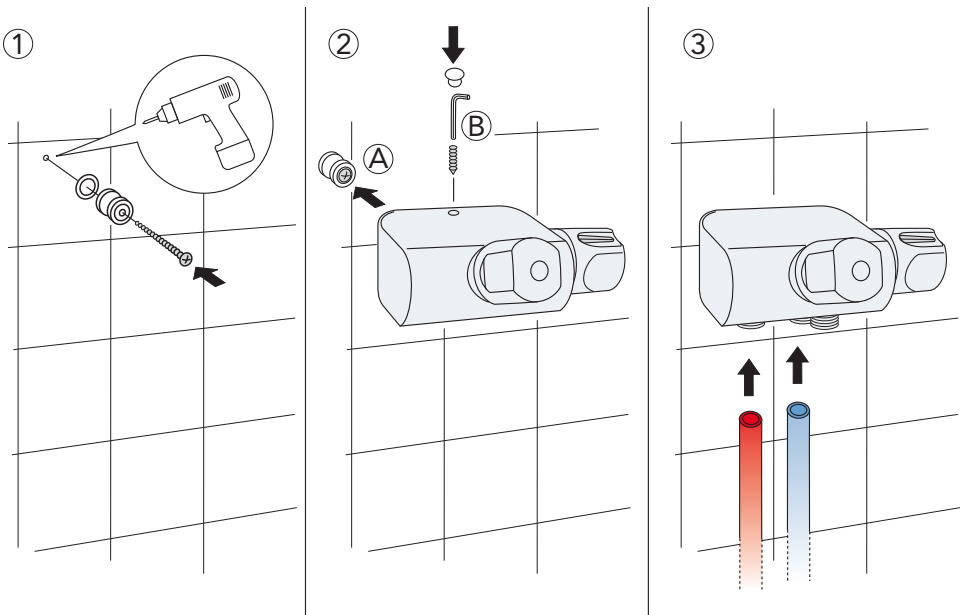
## Clean the pipes



# Installation

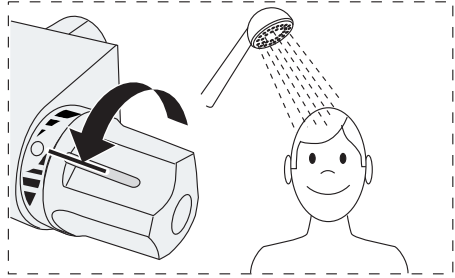
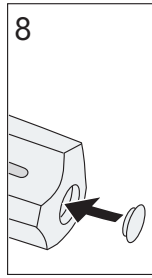
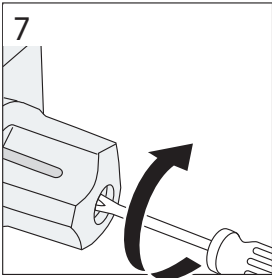
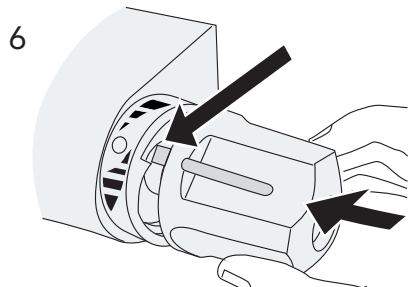
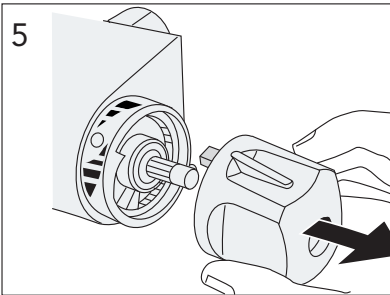
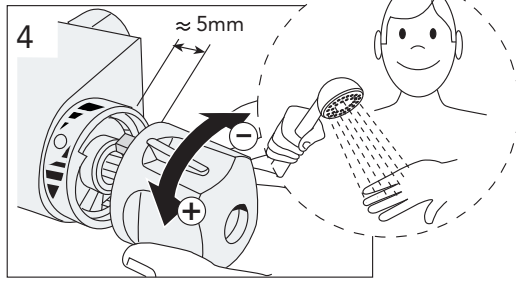
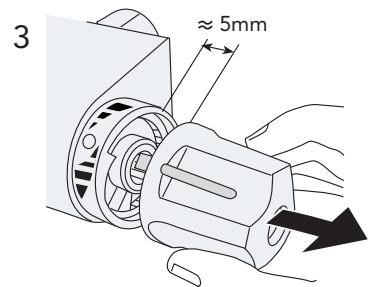
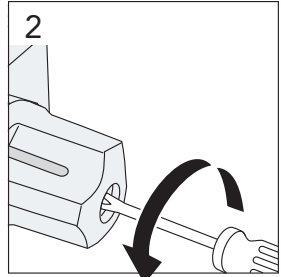
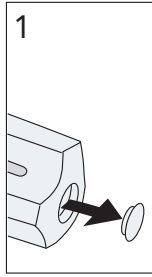
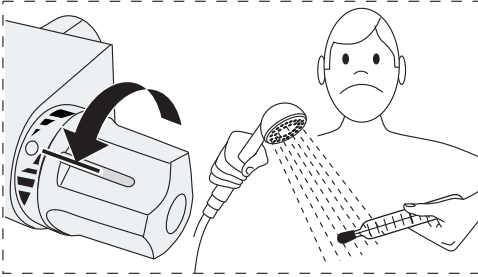
## Mounting

### 40 c-c

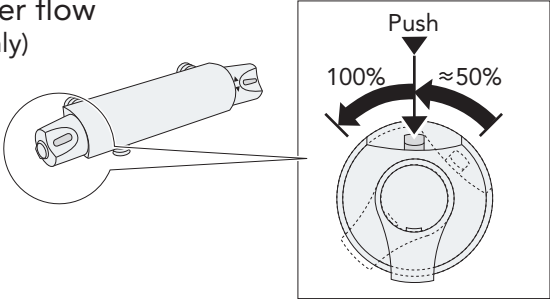


# Installation/Service

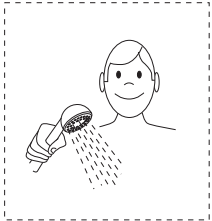
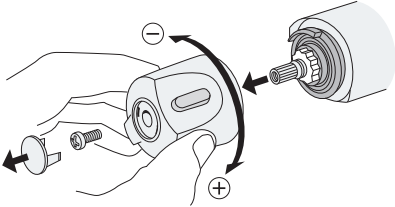
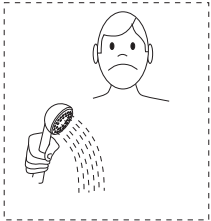
## Temp adjustment



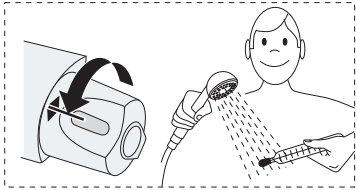
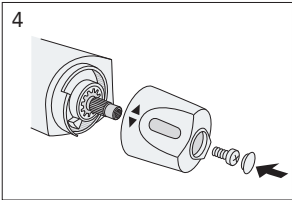
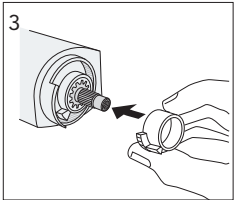
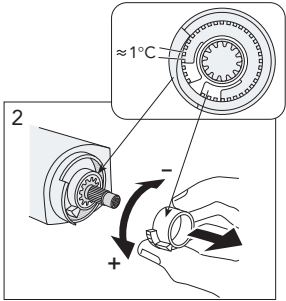
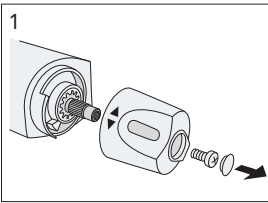
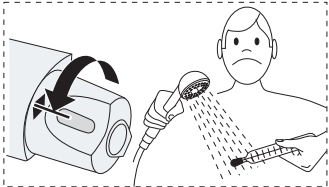
Use - Water flow  
(NAUTIC only)



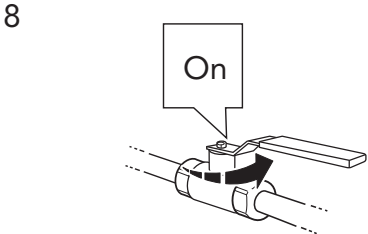
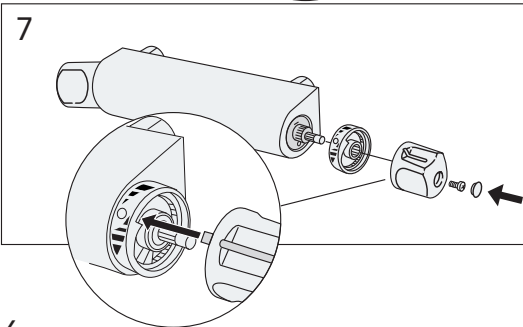
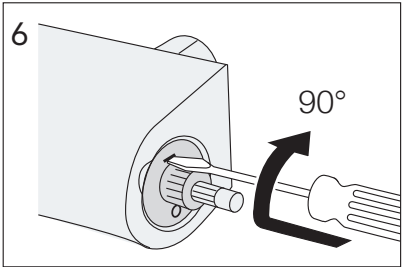
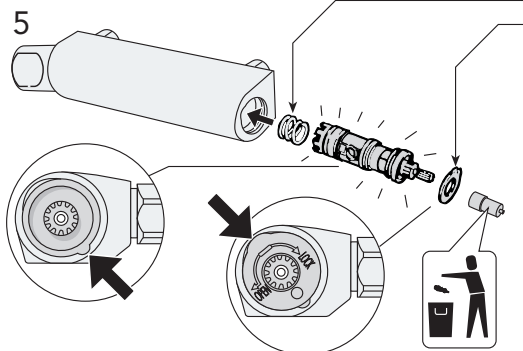
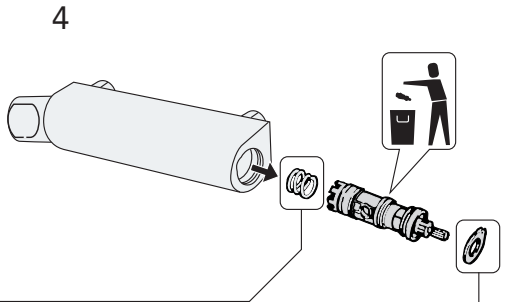
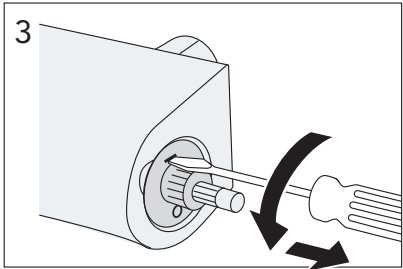
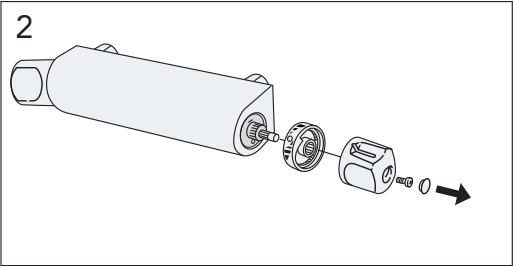
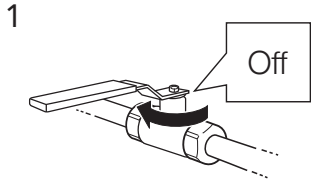
Installation/Service  
Adjustment water saving  
(NAUTIC only)



Installation/Service  
Limit temperature (Max hot)



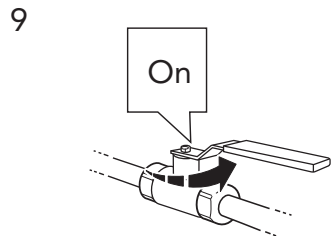
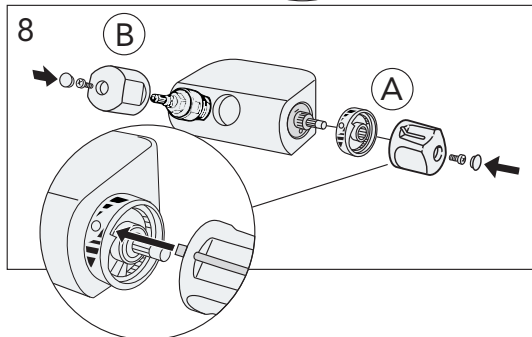
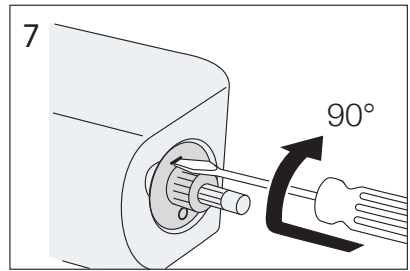
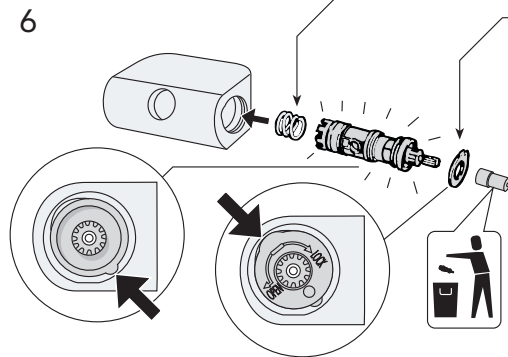
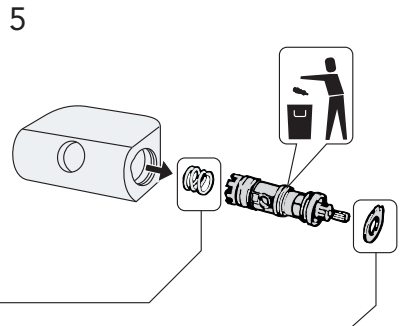
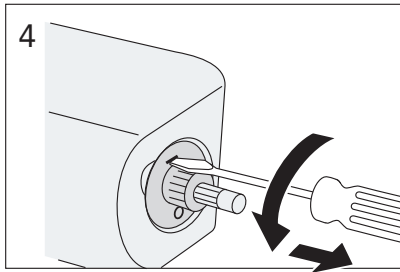
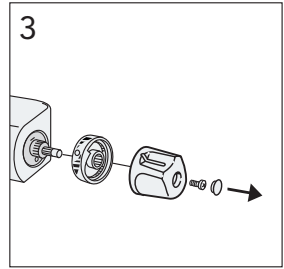
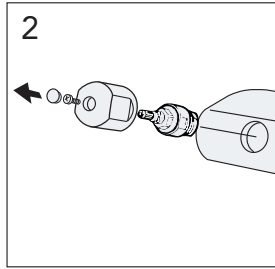
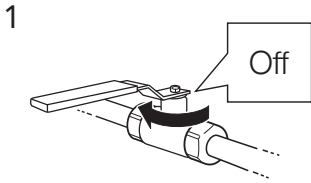
Service  
Replacing cartridge



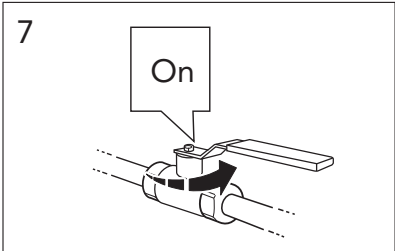
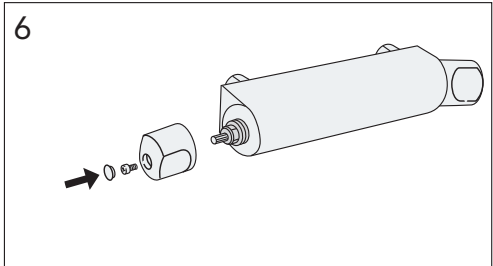
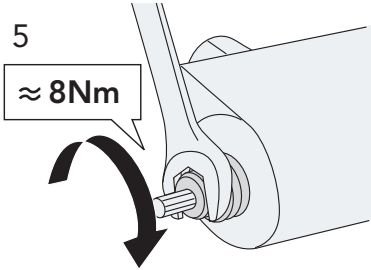
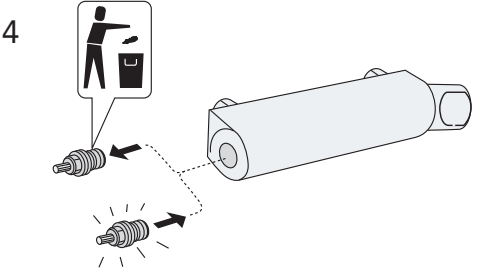
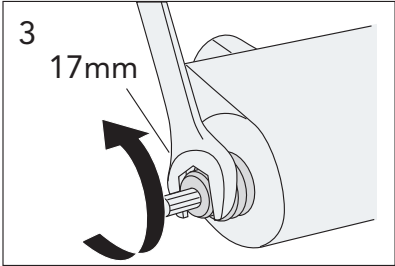
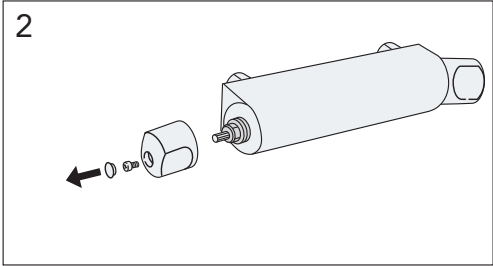
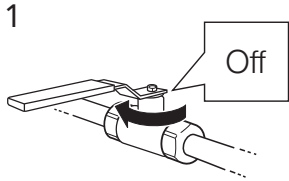
# Service

## Replacing cartridge

40 c-c

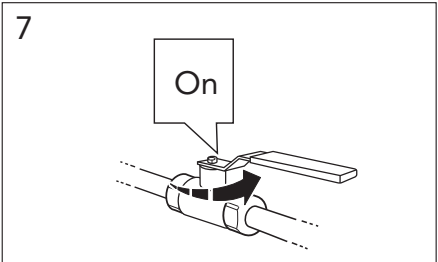
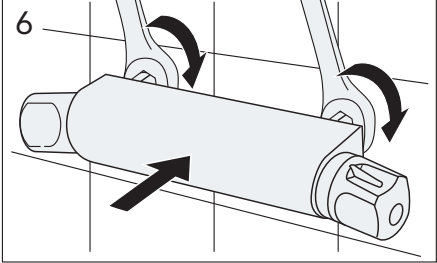
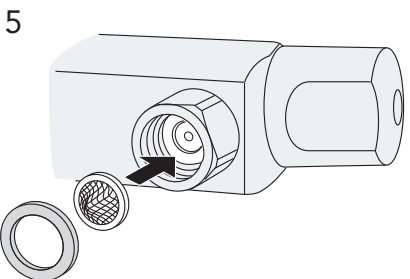
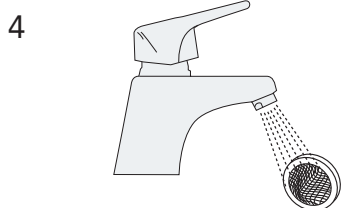
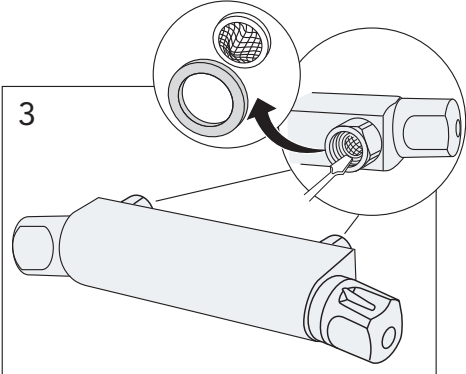
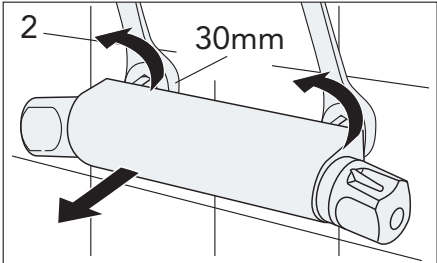
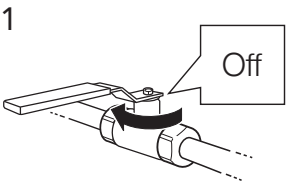


Service  
Replacing upper head





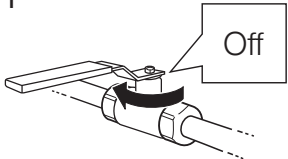
Service  
Cleaning filter  
150 c-c



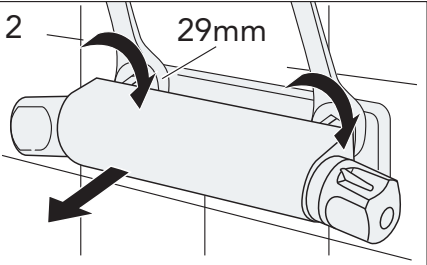
Service  
Cleaning filter  
160 c-c



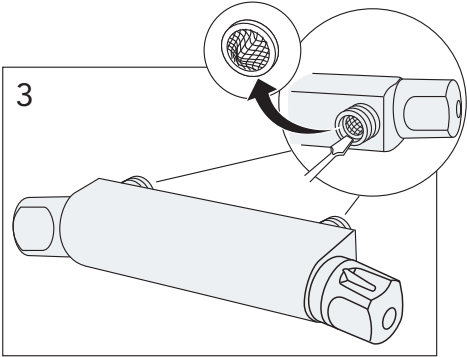
1



2



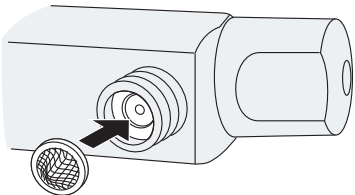
3



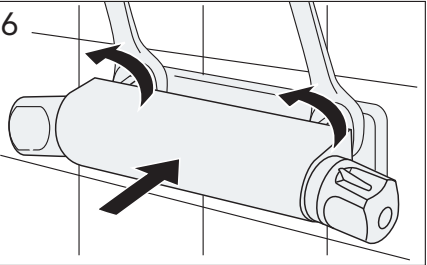
4



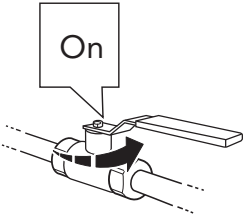
5



6



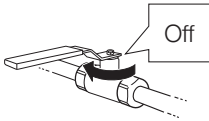
7



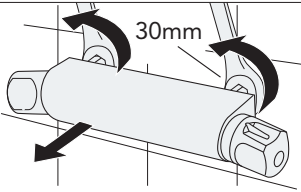
Service 150 c-c  
Replacing the filter/  
Check valve



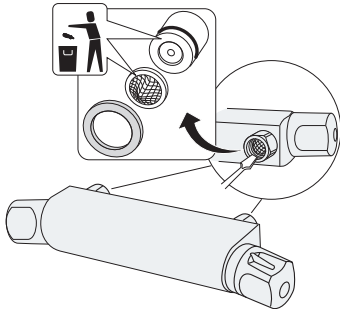
1



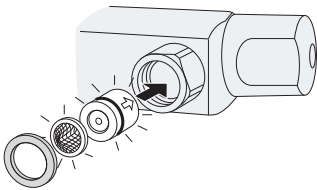
2



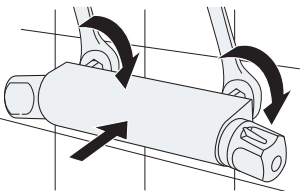
3



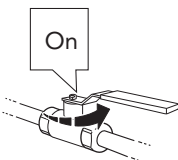
4



5



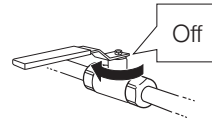
6



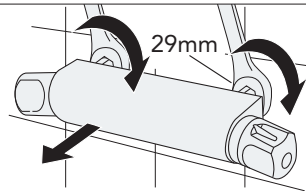
Service 160 c-c  
Replacing the filter/  
Check valve



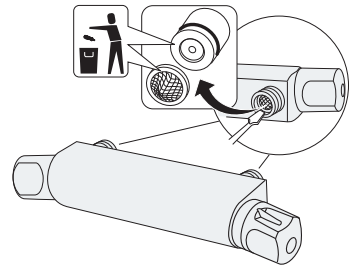
1



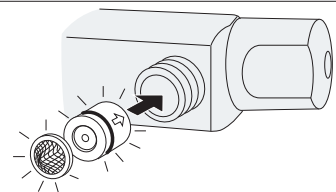
2



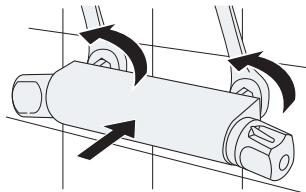
3



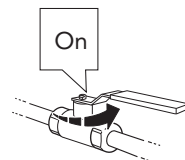
4



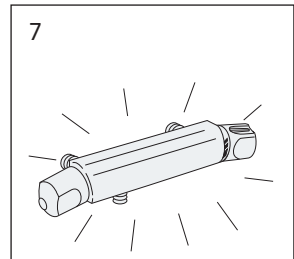
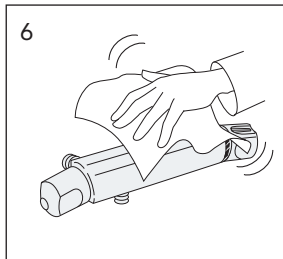
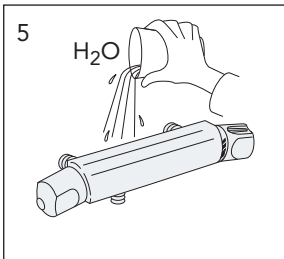
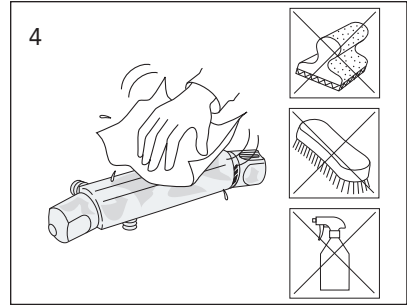
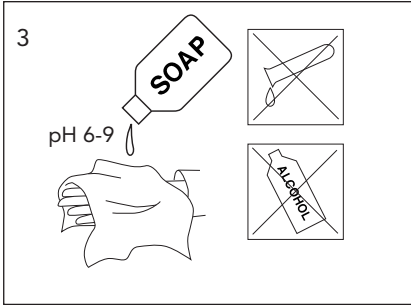
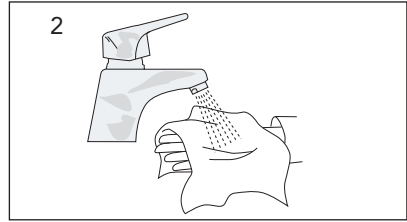
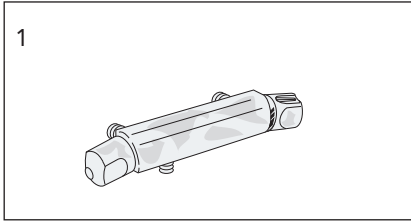
5



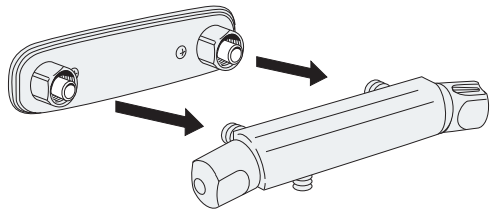
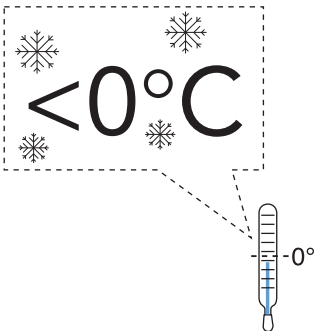
6



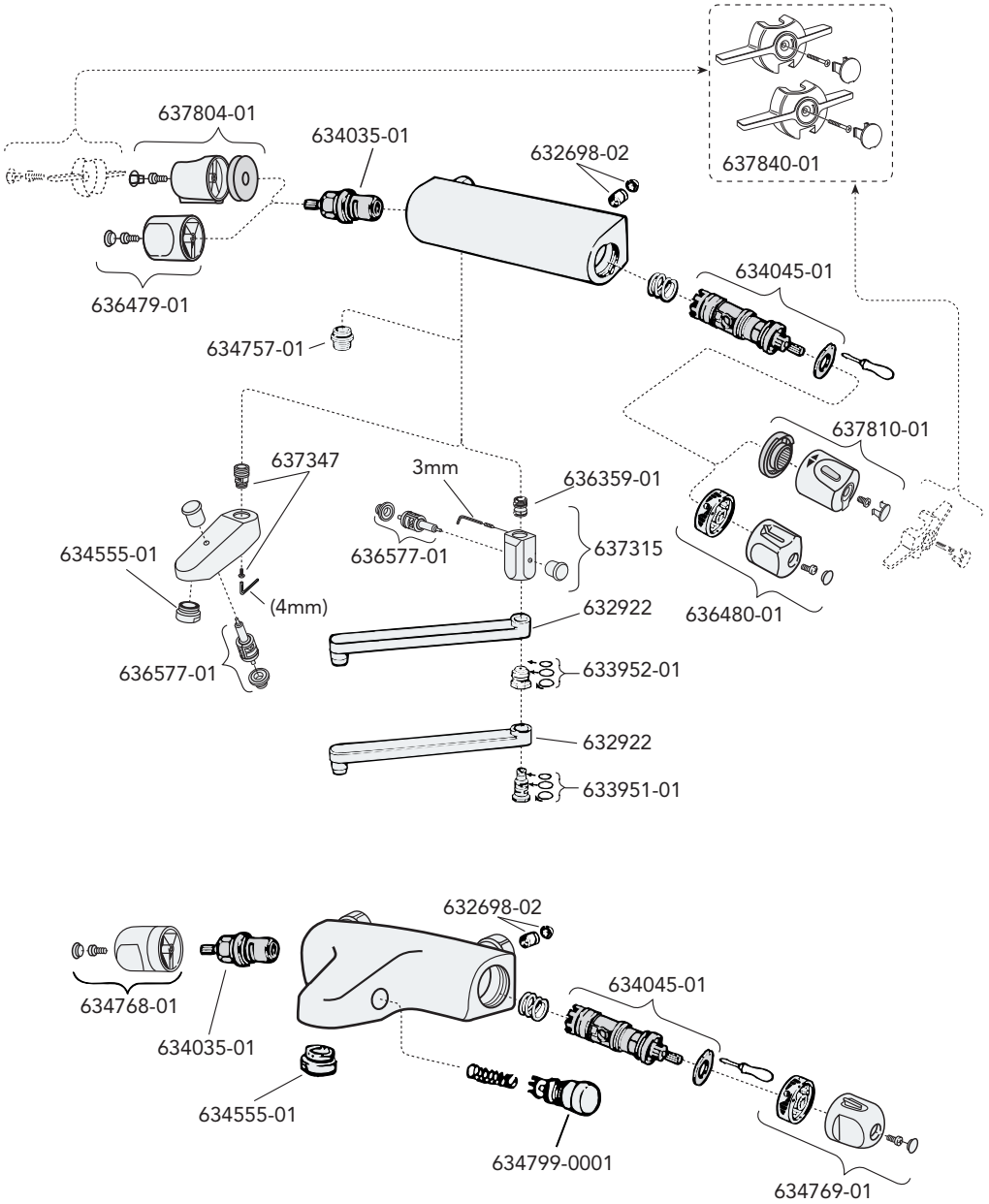
# Maintenance



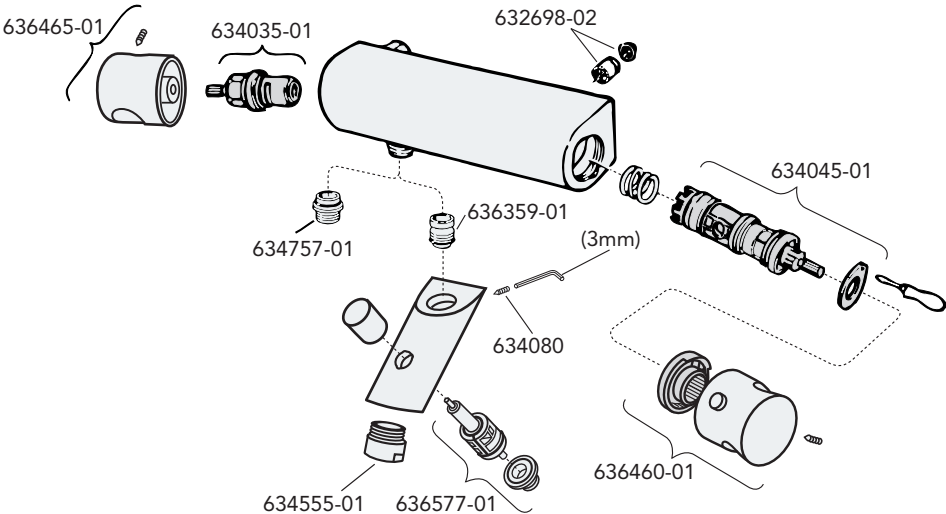
## Dismount Freezing point



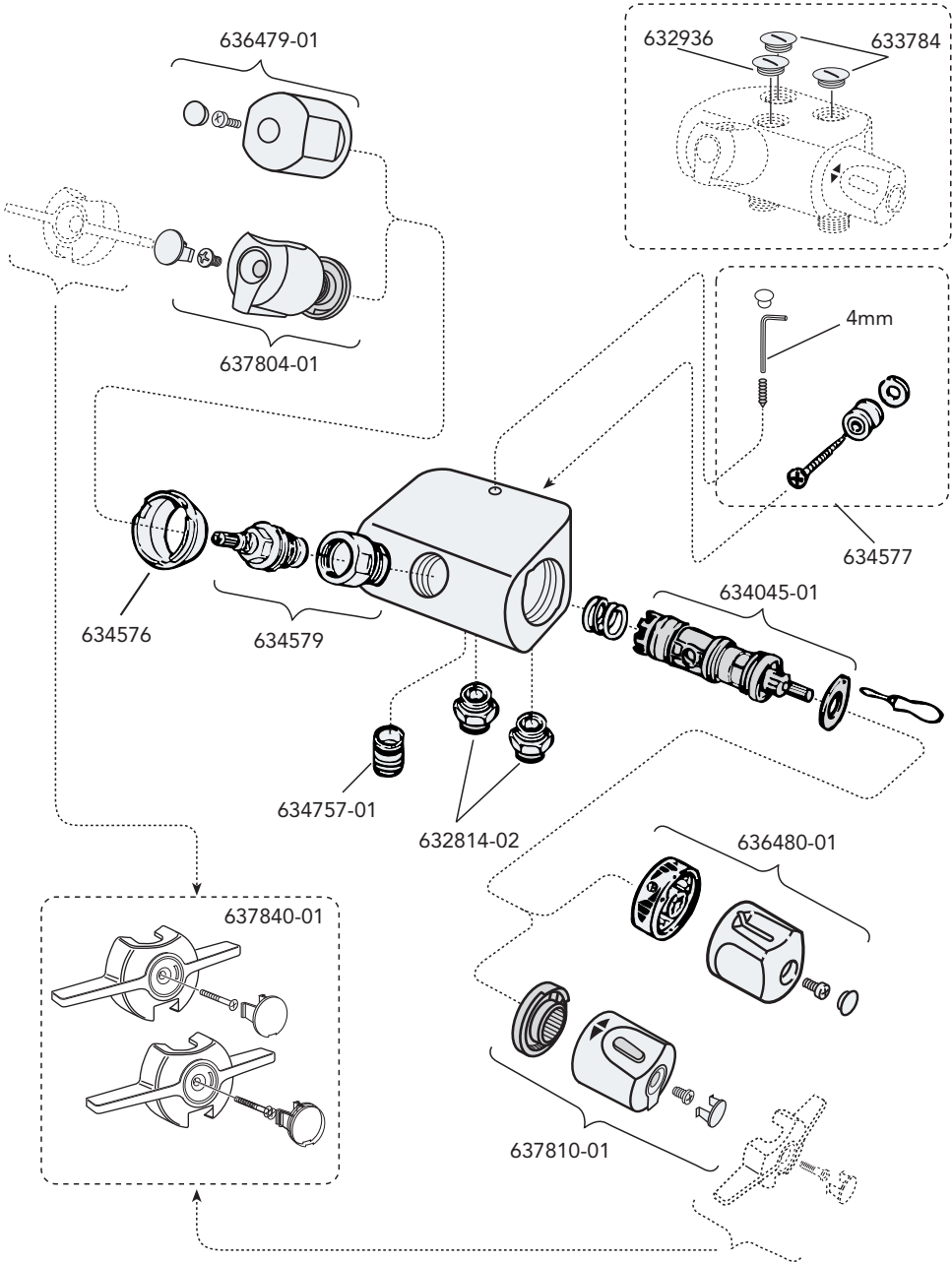
# Spare parts



Spare parts



Spare parts



**Sweden**

Villeroy & Boch Gustavsberg AB  
Box 400  
134 29 Gustavsberg  
Phone +46 8 570 391 00  
Fax +46 8 570 320 36  
info@gustavsberg.com

**Denmark**

Villeroy & Boch Danmark A/S  
Vallensbækvej 26-28  
2605 Brøndby  
Phone + 45 36 70 80 55  
Fax + 45 36 72 08 05  
info@gustavsberg.dk

**Norway**

Villeroy & Boch Norge AS  
Postboks 13  
1471 Lørenskog  
Tlf. + 47 67 97 82 50  
Faks +47 67 97 16 57  
info@gustavsberg.no

**Suomi/Finland**

Oy Gustavsberg Ab  
Laippatie 14 b  
00880 Helsinki  
Puh +358 9-32 91 88 11  
Fax + 358 9-32 91 88 50  
myynti@gustavsberg.com

**Estonia**

Gustavsberg Eesti  
Faehlmanni 6  
10125 Tallinn  
Phone +372 646 03 12  
Fax +372 646 0313  
info@gustavsberg.ee

**Latvia**

Gustavsberg  
Krusta iela 68 A  
LV - 1019 Riga  
Phone +371 724 55 11  
Fax +371 724 55 19  
ivars.viksne@gustavsberg.com

**Lithuania**

Oy Gustavsberg Ab filialas  
A. Goštauto g. 40A, II aukštas  
LT-01112 Vilnius  
Tel +370 (5) 246 08 10  
Faksas +370 (5) 269 16 20  
info@gustavsberg.lt

**Ukraine**

Gustavsberg  
Chapayeva Str. 4, office 17  
01030 Kiev  
Phone +38 044 493 98 68  
Fax +38 044 493 98 67  
info@gustavsberg.kiev.ua

**Russia**

Gustavsberg  
Hodynskij blv. 13, office 19  
125252 Moscow.  
Phone +7 495 232 1632  
Fax +7 495 232 1633  
info@gustavsberg.ru

**Russia**

Gustavsberg  
Kirochnaya str 40, office 7  
191123 St. Petersburg  
Phone +7 812 326 7896  
Fax +7 812 326 7899  
office@gustavsberg.spb.ru